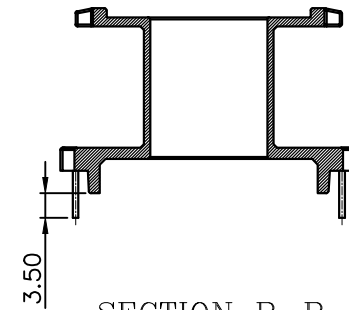
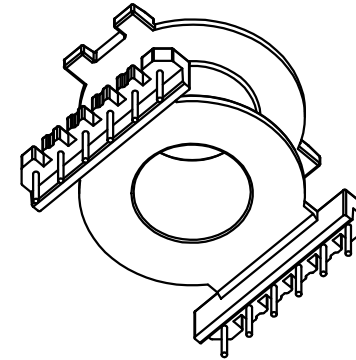
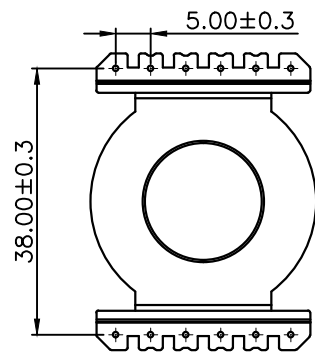


SECTION A-A



SECTION B-B



REVISION NOTE				DATE	DRAWN	CHECKED	APPROVED
DRAWN	CHECKED	APPROVED	MATERIAL : PHENOL	UL REC. : UL94V-0	THIRD ANGLE PROJ.	SCALE : 1/1	
MS, Kim	KM, Seo	C, Park	% : PIN LENGTH (According to customer's request)	DATE : 2016.03.15	TOLERANCE : ±0.2 (Unless otherwise specified)	UNIT : m/m	
주희회사 대흥보빈 DAE HEUNG BOBBIN CO., LTD				TITLE DS 40*28 "V" (12P)		DWG NO DH-000000-0000-00	